

PRODUCT SPECIFICATION SHEET

UFO E4 Submersion Fitting



Rev. C1



TECHNICAL INFORMATION

Lens	36mm clear lens with rear adjustable ball
Material	Stainless steel
Finishes available	Natural
Weight	681g
Flange size	75mm
Ferrule size	M10 or 8mm smooth
Min. fibre size	2mm
Max. fibre size	8mm

A large submersible eyeball fitting manufactured from stainless steel with a front mounted flat lens and a rear adjustable ball. Suitable for fitting into certikin CP2 2" ABS pool pipe for more accurate and easier installation.

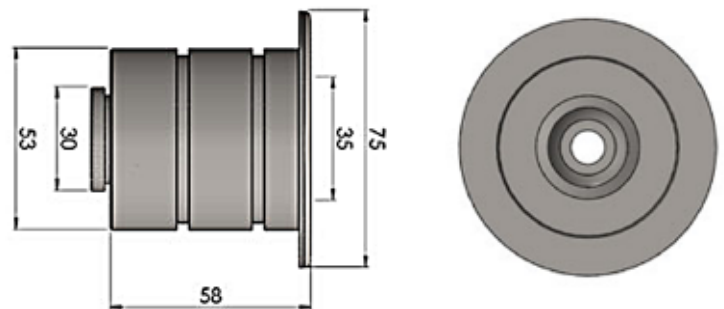
Our submersible eyeball fitting range are suitable for installation in constant immersion settings such as swimming pools, ponds and water features.

Mainly used to provide side-lighting they project a beam of light from the mounting surface through the water.

Use of a separate backbox means that they can be pre-fitted when concrete is being poured or retro fitted into existing stone or concrete. A wide flange allows superior sealing against smooth surfaces. The eyeball part of the fitting is sealed against water ingress with an o-ring compressed by a locking ring.

ORDERING CODES

MODEL	MATERIAL		FINISH		FERRULE SIZE	
UFO E4	Stainless Steel	SS	Natural	N	M10	M10
					8mm	8mm
UFO E4						



Universal Fibre Optics Ltd
Home Place \ Coldstream
TD12 4DT \ UK
+44 (0)1890 883416 \ www.ufo.lighting

Universal Fiber Optic Lighting USA, LLC
1749 Northgate Blvd
Sarasota \ FL34234 \ USA
941-343-8115 \ www.fiberopticlighting.com

UFO Licht GmbH
Friendsfactory AG \ Gutenbergstraße 1
85737 Munchen \ Deutschland
+49 (0)9491 955880 \ www.ufo-licht.de