

# PRODUCT SPECIFICATION SHEET



Rev. C1

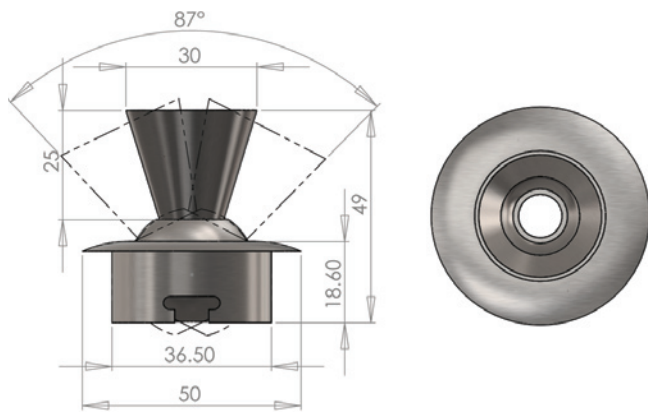
## UFO 10DA Downlight



An adjustable downlight fitting with trumpet, secured through ceiling with spring clips.

Available in a range of finishes, this fitting can be rotated and tilted to point directly at any objects to be illuminated. The fitting also allows for the light beam to be focused. The fitting is also suitable for mounting in the base of a display case and illuminating upwards.

Our downlight fittings are suitable for use in a variety of different applications and are the ideal solution for the illumination of static objects within a display case or cabinet.



### TECHNICAL INFORMATION

Lens	18mm lens
Focus range	40° - 75°
Material	Aluminium (stainless steel option available to special order - extended lead times)
Finishes available	Aluminium, black, white, stainless steel (chrome subject to availability, special orders & extended lead times)
Trumpet size	Ø50
Tilt	28°
Rotation	360°
Weight	55.1g
Mounting hole size	40mm
Mounting	Recessed, held by springs
Ferrule size	M10 or 8mm smooth
Min. fibre size	2mm
Max. fibre size	8mm

### ORDERING CODES

MODEL	MATERIAL		FINISH		FERRULE SIZE	
UFO 10DA	Aluminium	ALU	Aluminium	ALU	M10	M10
	Stainless Steel	SS	Black	BL	8mm	8mm
			White	WH		
			Chrome	CH		
UFO 10DA						

