

# PRODUCT SPECIFICATION SHEET



Rev. C1

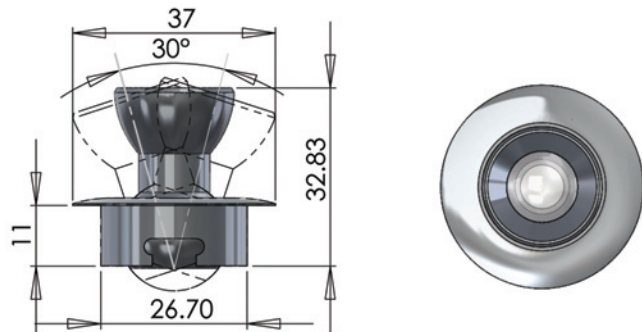
## UFO 9D Downlight



A mini adjustable downlight fitting with trumpet, secured through ceiling with spring clips.

Available in a range of finishes, this fitting can be rotated and tilted to point directly at any objects to be illuminated. The fitting also allows for the light beam to be focused. The fitting is also suitable for mounting in the base of a display case and illuminating upwards. Supplied with two trumpets to give a wide and a narrow focus range.

Our downlight fittings are suitable for use in a variety of different applications and are the ideal solution for the illumination of static objects within a display case or cabinet.



### TECHNICAL INFORMATION

Lens	13mm domed & 18mm biconvex lenses
Focus range (trumpet A)	25° - 65°
Focus range (trumpet B)	70° - 120°
Material	Aluminium
Finish	Aluminium, black, white
Flange size	ø37mm
Tilt	30°
Rotation	360°
Weight	20.7g
Mounting hole size	27mm
Mounting	Recessed, held by springs
Ferrules size	M8
Min. fibre size	2mm
Max. fibre size	6mm

### ORDERING CODES

MODEL	MATERIAL		FINISH		FERRULE SIZE	
UFO 9D	Aluminium	ALU	Aluminium	ALU	M8	M8
			Black	BL		
			White	WH		
UFO 9D						

