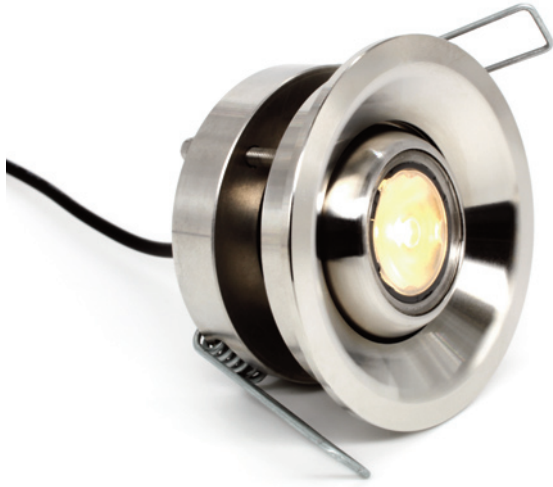


PRODUCT SPECIFICATION SHEET



Rev. C2

LD10 LED Downlight



A recessed downlight with a lockable eyeball which is held in place with spring clips. Available in a range of finishes, this fitting can be rotated and tilted to point directly at any objects to be illuminated. Rated to IP66, this fitting is also suitable for use outdoors.

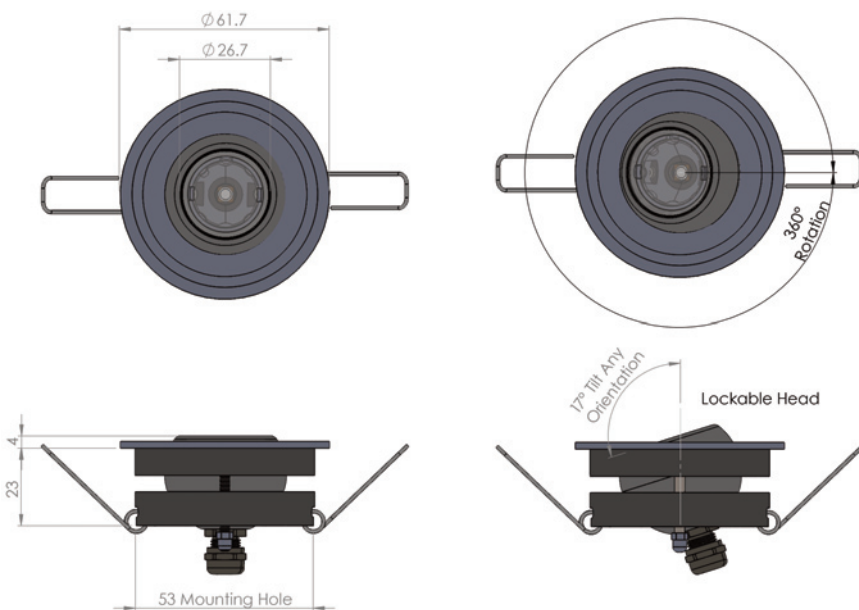
Our downlight fittings are suitable for use in a variety of different applications and are the ideal solution for lighting outdoor areas such as patios and driveways.

TECHNICAL INFORMATION

Operating Environment	Indoor or Outdoor - IP66 Rated
Material	Stainless steel
Finishes	Black, natural stainless steel, custom RAL to order
Mounting Method	Recessed, secured with springs
Power Consumption	1W per fitting
Voltage	3.2V
Standard Colour Temp. & CRI	2700K >98 - 3000K >98 4000K >97 - 5700K >91
Typical Luminous Flux (based on 19° lens)	2700K: 67lm/W / 3000K: 65lm/W 4000K: 72lm/W / 5700K: 89lm/W
Optics	13.5° / 19° / 28°
Articulation	Tilt: 17° / Rotation 360°

DRIVER CONTROL OPTIONS (Depending on specified driver)

No Dimming	Local Potentiometer Dimming
0-10V Dimming	Remote Potentiometer Dimming



PRODUCT CODES

MODEL	OPTICS		COLOUR TEMP		MATERIAL		FLANGE COLOUR		EYEBALL COLOUR	
UFO LD10	13.5°	13	2700K	27	Stainless Steel	SS	Black	BLF	Black	BLB
	19°	19	3000K	30			Stainless Steel	SSF	Stainless Steel	SSB
	28°	28	4000K	40			Custom	CUF	Custom	CUB
			5700K	57						
UFO LD10										

e.g. UFO LD10-13-40-SS-BLF-BLB

