

# PRODUCT SPECIFICATION SHEET



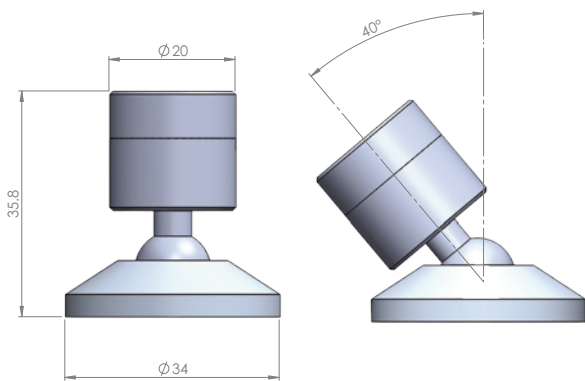
Rev. C1

## LE2 LED Downlight



Surface mount LED downlight fitting with free rotation and tilt. The UFO LE2 fitting features a sleek design and 360° rotation with 40° articulation in the pivot.

Available in a choice of colour temperatures with high colour rendition and a selection of optics, the fitting can be used to provide contemporary, functional lighting in any environment.



### TECHNICAL INFORMATION

Light Source	LED
Operating Environment	Indoor
Material	Aluminium
Finishes	Black or silver
Mounting Method	Surface mount
Power Consumption	350mA (1W) or 500mA (1.5W)
Voltage	3.2V nominal
Colour Temperatures	3000K, 4000K
Typical CRI Values	98CRI (3000K) 95CRI (4000K)
Lumens per Watt	3000K - 51lm/W 4000K - 54lm/W
Lens Options	12° / 22° / 30° / 53°
Articulation	Tilt: 40° / Rotation: 360°

### DRIVER CONTROL OPTIONS (Depending on specified driver)

No Dimming	Local Potentiometer Dimming
0-10V Dimming	Remote Potentiometer Dimming

### PRODUCT ORDERING CODES

MODEL	OPTICS	COLOUR TEMP	FLANGE COLOUR
UFO LE2	12° 12	3000K 30	Black BL
	22° 22	4000K 40	Silver SV
	30° 30		
	53° 53		

UFO LE2 - [ ] - [ ] - [ ]

e.g, UFO LE2-12-30-BL



Universal Fibre Optics Ltd  
Home Place \ Coldstream  
TD12 4DT \ UK  
+44 (0)1890 883416 \ www.ufo.lighting

Universal Fiber Optic Lighting USA, LLC  
1749 Northgate Blvd  
Sarasota \ FL34234 \ USA  
941-343-8115 \ www.fiberopticlighing.com

UFO Licht GmbH  
Andreasstraße 20  
93059 Regensburg \ Deutschland  
+49 (0)9491 955880 \ www.ufo-licht.de