

PRODUCT SPECIFICATION SHEET

LM2 LED Spotlight



Rev. C5



A surface mount spotlight. Supplied with mounting bracket. Available in a range of finishes, this fitting can be rotated and tilted to point in almost any direction. This fitting is IP66 rated so is perfect for use both indoors and out and is suitable for use where access above or below the mounting surface is not available.

The power cable can be threaded through the base of the fitting if required to create a neat finish.

Our spotlight fittings are suitable for use in a variety of different applications and are the ideal solution for lighting outdoor areas such as patios and driveways.

GENERAL INFORMATION

| | |
|-----------------------|---|
| Light Source | White Light LED |
| LED Module Options | Xicato XIM or Xicato XTM |
| Colour Temp. Options | 2700K or 3000K |
| Operating Environment | IP66 rated for indoor or outdoor use |
| Material | Aluminium |
| Available Finishes | Black as standard. Custom RAL finish available to special order |
| Dimensions | 56mm Diameter x 122mm Length |
| Securing Method | Surface mount, secured with screws |

ARTICULATION

| | |
|----------|---------------|
| Rotation | 360° |
| Tilt | 120° lockable |

XIM MODULE

| | |
|--------------------|--|
| Power Requirements | 48V Constant Voltage |
| Module Options | 9mm LED - 80CRI - 10.1W - 700lm 9mm LED - 95CRI - 12.5W - 700lm |

XTM MODULE

| | |
|--------------------|---|
| Power Requirements | Constant Current |
| Module Options* | 9mm LED - 80CRI - max. 10.9W - 965lm 9mm LED - 95CRI - max. 10.6W - 700lm 19mm LED - 80CRI - max. 10.6W - 1490lm 19mm LED - 95CRI - max. 9.6W - 1240lm |

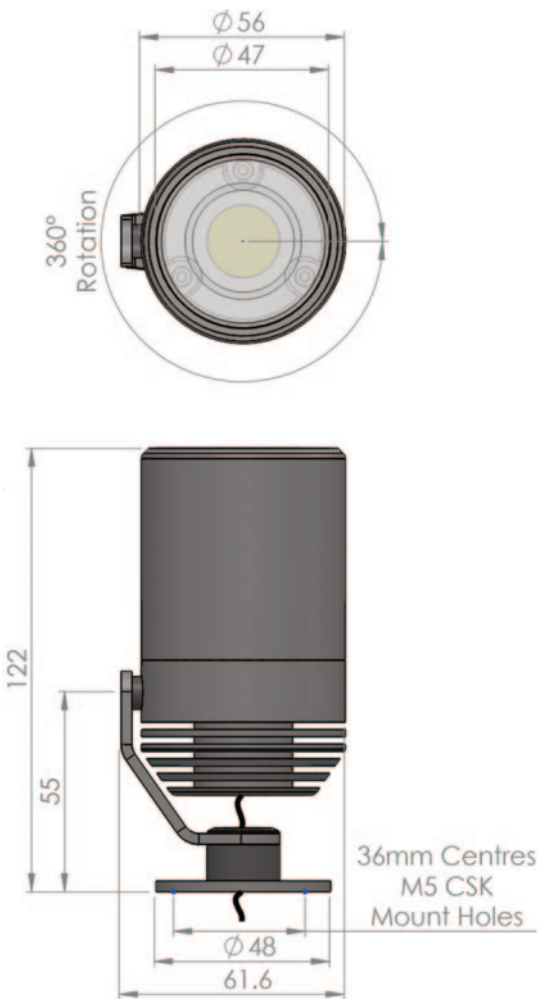
*Lower power options are available if required - contact us for details

OPTICS DATA

| | |
|-------------------------|-----------------|
| Optics Options 9mm LED | 12° / 24° / 38° |
| Optics Options 19mm LED | 31° / 33° / 46° |

DRIVER DIMMING OPTIONS

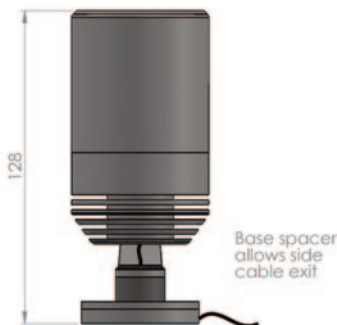
| | |
|--------------------|---|
| Xicato XIM Modules | Bluetooth (Xicato) |
| Xicato XTM Modules | DALI, 0-10V, Mains or Bluetooth (Casambi) |



MOUNTING ACCESSORIES

Side Cable Base Spacer
Product Code:
UFO-LM-SCBS

Allows the cable to exit from the side of the mounting foot rather than straight through the back face.



OPTICAL ACCESSORIES

Option 1 Honeycomb louver

Option 2 Diffuser lens

Note:

On models fitted with XIM modules only 1 optical accessory can be fitted at a time. Models fitted with XTM modules can accept 2 optical accessories at once

PRODUCT CODES

| MODEL | OPTICS | COLOUR TEMP | FINISH | MODULE | ACCESSORIES | | | | | |
|---------|------------|-------------|--------|--------|-------------|----|------------------------|--------|------------------------------------|-------|
| UFO LM2 | 9mm / 12° | 12 | 2700K | 27 | Black | BL | XIM / 9mm LED - 80CRI | XI0980 | None | XX |
| | 9mm / 24° | 24 | 3000K | 30 | Custom | CU | XIM / 9mm LED - 95CRI | XI0995 | Honeycomb | HC |
| | 9mm / 38° | 38 | | | | | XTM / 9mm LED - 80CRI | XT0980 | Diffuser Lens | DF |
| | 19mm / 31° | 31 | | | | | XTM / 9mm LED - 95CRI | XT0995 | Both Options (XTM MODULES ONLY) | HC-DF |
| | 19mm / 33° | 33 | | | | | XTM / 19mm LED - 80CRI | XT1980 | | |
| | 19mm / 46° | 46 | | | | | XTM / 19mm LED - 95CRI | XT1995 | | |
| UFO LM2 | - | - | - | - | - | - | - | - | - | - |

e.g, UFO LM2-24-27-BL-XT0995-HC



Universal Fibre Optics Ltd
Home Place \ Coldstream
TD12 4DT \ UK
+44 (0)1890 883416 \ www.ufo.lighting

Universal Fiber Optic Lighting USA LLC
1749 Northgate Blvd
Sarasota \ FL34234 \ USA
941-343-8115 \ www.fiberopticlighting.com

UFO Licht GmbH
Andreasstraße 20
93059 Regensburg \ Deutschland
+49 (0)9491 955880 \ www.ufo-licht.de