

# PRODUCT SPECIFICATION SHEET

## LM4 LED Spotlight



Rev. C2



A small surface mount spotlight. Supplied with mounting bracket. Available in a range of finishes, this fitting can be rotated and tilted to point directly at any objects to be illuminated. This fitting is perfect for use indoors and is suitable for use where access above or below the mounting surface is not available. Also, the wire can thread through the base of the fitting or be left as a flying lead.

Of course, all options in this range also features a high CRI. They are equally at home indoors and are highly effective when used in museums, galleries and retail display environments.

This fitting can be configured with one accessory type as detailed in the ordering code selector.

### GENERAL INFORMATION

Light Source	White Light LED
Operating Environment	IP20 rated for indoor use only
Material	Aluminium
Available Finishes	Black as standard. Custom RAL finish available to special order
Dimensions	35.5mm Diameter x 59.3mm Length
Securing Method	Surface mount, secured with screws

### ARTICULATION

Rotation	360°
Tilt	118° lockable

### LED ARRAY DATA

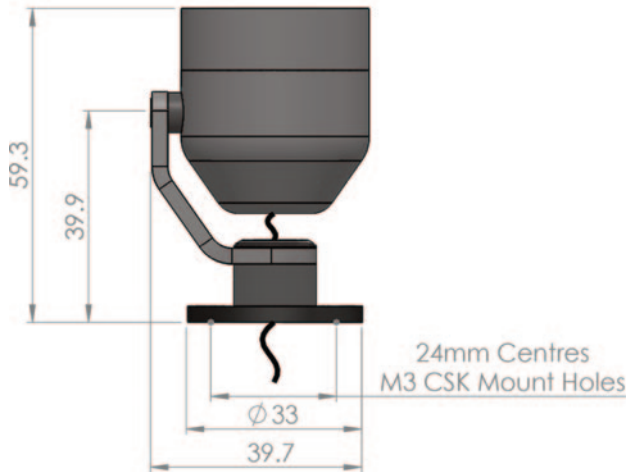
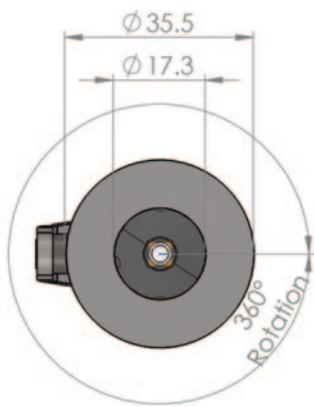
LED Type	Osram Oslon Square on 20mm star board
LED Life (L70, B10)	>50,000 Hours
Fitting Drive Current	350mA
Power Consumption	1W @ 350mA
Colour Temperature	2700K, 3000K, 4000K or 5700K
CRI (typical)	2700K >98 - 3000K >98 4000K >97 - 5700K >91
LED Luminous Efficacy (based on 19° lens / 350mA)	2700K: 67lm/W - 3000K: 65lm/W 4000K: 72lm/W - 5700K: 89lm/W
Driver Type	Constant current LED driver required

### OPTICS DATA

Optics Family	Carclo
Available Optics	13.5° / 19° / 28°

### DRIVER DIMMING OPTIONS

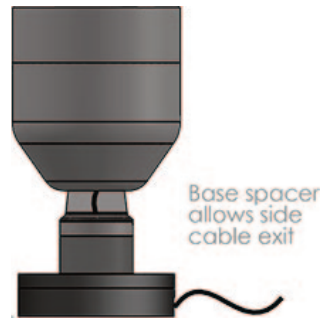
Driver Specific	No Dimming 0-10V DALI DMX Mains Local potentiometer dimming Remote potentiometer dimming
-----------------	--



## MOUNTING ACCESSORIES

Side Cable Base Spacer  
Product Code:  
UFO-LM-SCBS

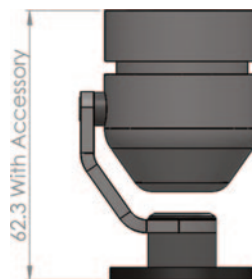
Allows the cable to exit from the side of the mounting foot rather than straight through the back face.



## OPTICAL ACCESSORY

Option 1

Honeycomb louver



## PRODUCT CODES

MODEL	OPTICS		COLOUR TEMP		FINISH		ACCESSORIES	
	Beam Angle	Beam Diameter	Temp	Code	Finish	Code	Accessory	Code
UFO LM4	13.5°	13	2700K	27	Black	BL	None	XX
	19°	19	3000K	30	Custom	CU	Honeycomb Louver	HC
	28°	28	4000K	40				
			5700K	57				
UFO LM4								

e.g. UFO LM4-19-40-BL-XX

