

PRODUCT SPECIFICATION SHEET



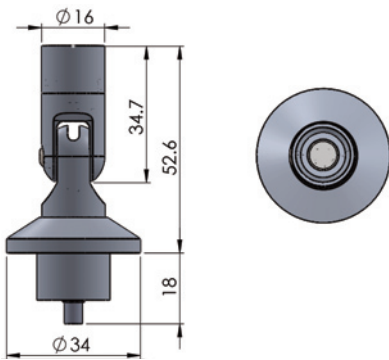
Rev. C2

LPV1 LED Downlight



Surface mount LED downlight fitting with free rotation and tilt. The UFO LPV1 fitting features a sleek design and 360° rotation with 90° + 45° articulation in the pivot.

Available in a choice of colour temperatures with high colour rendition and a selection of optics, the fitting can be used to provide contemporary, functional lighting in any environment. The fitting has an inbuilt plug/socket and can be easily removed from its base.



TECHNICAL INFORMATION

Colour Temperatures	2700K, 3000K, 4000K
Typical CRI Values	>96CRI (3000K) >95CRI (2700K & 4000K)
Power Consumption	350mA (1.12W) 500mA (1.6W)
Voltage	3.2V nominal
Lumens per Watt	2700K: 75lm/W - 3000K: 77lm/W 4000K: 80lm/W
Lens Options	16° / 23° / 36° / 61°
Material	Aluminium
Finishes	Black or silver
Articulation	Tilt: 90°+45° / Rotation: 360°

DRIVER CONTROL OPTIONS (Depending on specified driver)

No Dimming	Local Potentiometer Dimming
0-10V Dimming	Remote Potentiometer Dimming

PRODUCT ORDERING CODES

MODEL	OPTICS		COLOUR TEMP		FLANGE COLOUR	
UFO LPV1	16°	16	2700K	27	Black	BL
	23°	23	3000K	30	Silver	SV
	36°	36	4000K	40		
	61°	61				

UFO LPV1 - [] - [] - []

e.g. UFO LPV1-16-30-BL



Universal Fibre Optics Ltd
Home Place \ Coldstream
TD12 4DT \ UK
+44 (0)1890 883416 \ www.ufo.lighting

Universal Fiber Optic Lighting USA, LLC
1749 Northgate Blvd
Sarasota \ FL34234 \ USA
941-343-8115 \ www.fiberopticlighting.com

UFO Licht GmbH
Andreasstraße 20
93059 Regensburg \ Deutschland
+49 (0)9491 955880 \ www.ufo-licht.de