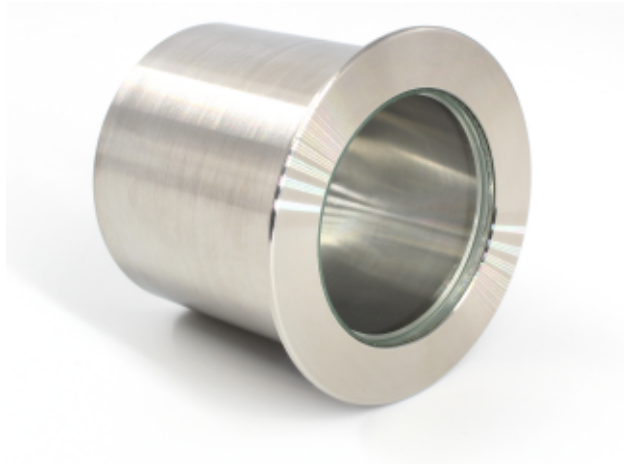


PRODUCT SPECIFICATION SHEET

UFO P11 Paver



Rev. C1



| TECHNICAL INFORMATION | |
|-----------------------|------------------------|
| Lens | 38mm, clear or frosted |
| Beam angle | 75° |
| Material | 316 Stainless steel |
| Finishes available | Stainless steel |
| Weight | 497.1g |
| Mounting hole size | 48mm |
| Ferrule size | M10 or M8 |
| Min. fibre size | 2mm |
| Max. fibre size | 8mm |

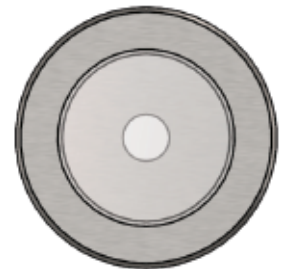
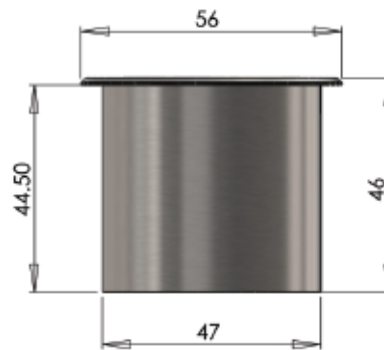
Our range of classic paver fittings are all manufactured from hard wearing, corrosion resistant 316 stainless steel, and fitted with high quality toughened glass.

Available in a wide range of sizes, paver fittings can generally be used with fibre sizes ranging from 2mm up to 8mm diameter. This is dependant on the size of ferrule the fitting can accept.

All pavers are supplied in natural stainless steel and most types are available with a choice of clear or frosted glass.

The P11 is a large walkover round paver with a 56mm diameter flange and a total depth of 46mm. Fitted with a 38mm diameter toughened glass front which can be supplied in either clear or frosted versions.

| ORDERING CODES | | | | |
|----------------|---------|---|--------------|-----|
| MODEL | LENS | | FERRULE SIZE | |
| UFO P11 | Clear | C | M10 | M10 |
| | Frosted | F | M8 | M8 |
| UFO P11 | | | | |



Universal Fibre Optics Ltd
Home Place \ Coldstream
TD12 4DT \ UK
+44 (0)1890 883416 \ www.ufo.lighting

Universal Fiber Optic Lighting USA, LLC
1749 Northgate Blvd
Sarasota \ FL34234 \ USA
941-343-8115 \ www.fiberopticlighting.com

UFO Licht GmbH
Friendsfactory AG \ Gutenbergstraße 1
85737 Munchen \ Deutschland
+49 (0)9491 955880 \ www.ufo-licht.de