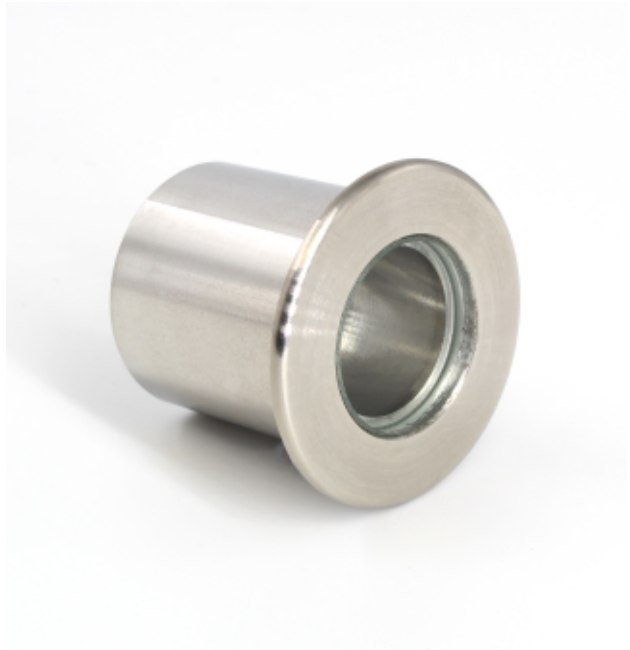


# PRODUCT SPECIFICATION SHEET

## UFO P3 Paver



Rev. C1



### TECHNICAL INFORMATION

Lens	20mm lens, clear or frosted
Beam angle	45°
Material	316 stainless steel
Finishes available	Natural stainless steel
Weight	92.2g
Mounting hole size	28mm
Ferrule size	M10 or 8mm smooth
Min. fibre size	2mm
Max. fibre size	8mm

Our range of classic paver fittings are all manufactured from hard wearing, corrosion resistant 316 stainless steel, and fitted with high quality toughened glass.

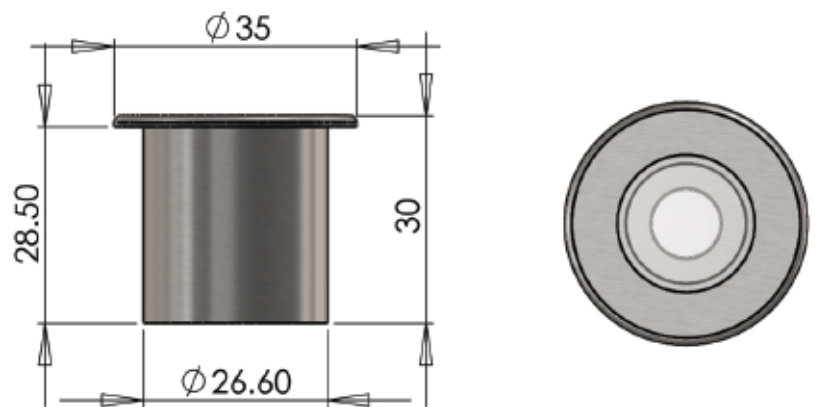
Available in a wide range of sizes, paver fittings can generally be used with fibre sizes ranging from 2mm up to 8mm diameter. This is dependent on the size of ferrule the fitting can accept.

All pavers are supplied in natural stainless steel and are most types are available with a choice of clear or frosted glass.

The P3 is a round paver with a 35mm diameter flange and a total depth of 30mm. Fitted with a 20mm diameter, domed, toughened glass front which can be supplied in either clear or frosted versions.

### ORDERING CODES

MODEL	LENS		FERRULE SIZE	
	UFO P3	Clear	C	M10
	Frosted	F	8mm	8mm
UFO P3				



Universal Fibre Optics Ltd  
Home Place \ Coldstream  
TD12 4DT \ UK  
+44 (0)1890 883416 \ www.ufo.lighting

Universal Fiber Optic Lighting USA, LLC  
1749 Northgate Blvd  
Sarasota \ FL34234 \ USA  
941-343-8115 \ www.fiberopticlighting.com

UFO Licht GmbH  
Friendsfactory AG \ Gutenbergstraße 1  
85737 Munchen \ Deutschland  
+49 (0)9491 955880 \ www.ufo-licht.de