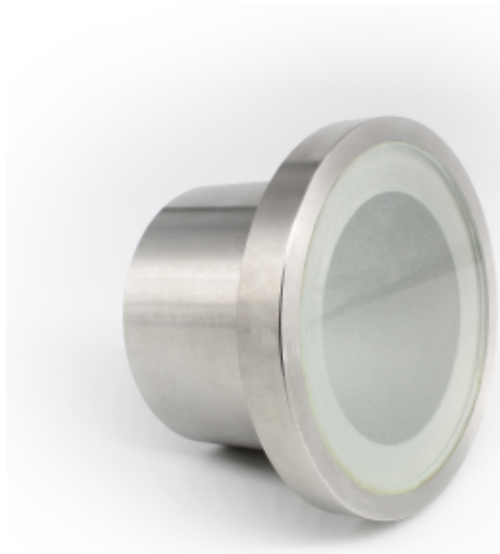


PRODUCT SPECIFICATION SHEET

UFO P7 Paver



Rev. C1



TECHNICAL INFORMATION

Lens	80mm clear lens
Flange size	97mm
Material	316 Stainless steel
Finishes available	Stainless steel
Weight	917g
Mounting hole size	72mm
Ferrule size	M10 or 8mm smooth
Min. fibre size	2mm
Max. fibre size	8mm

Our range of classic paver fittings are all manufactured from hard wearing, corrosion resistant 316 stainless steel, and fitted with high quality toughened glass.

Available in a wide range of sizes, paver fittings can generally be used with fibre sizes ranging from 2mm up to 8mm diameter. This is dependant on the size of ferrule the fitting can accept.

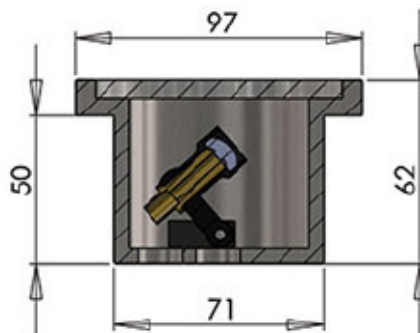
All pavers are supplied in natural stainless steel and most types are available with a choice of clear or frosted glass.

The P7 has an internally mounted lens which allows light to be directed at an angle. This is the ideal solution where the light has to hit an object such as a wall or sculpture.

Please note: this fitting is made to order only, delivery will be subject to an extended lead time and price will be dependant on the quantity required.

ORDERING CODES

MODEL	LENS		FERRULE SIZE	
UFO P7	Clear	C	M10	M10
			8mm	8mm
UFO P7				



Universal Fibre Optics Ltd
Home Place \ Coldstream
TD12 4DT \ UK
+44 (0)1890 883416 \ www.ufo.lighting

Universal Fiber Optic Lighting USA, LLC
1749 Northgate Blvd
Sarasota \ FL34234 \ USA
941-343-8115 \ www.fiberopticlighting.com

UFO Licht GmbH
Friendsfactory AG \ Gutenbergstraße 1
85737 Munchen \ Deutschland
+49 (0)9491 955880 \ www.ufo-licht.de