

PRODUCT SPECIFICATION SHEET

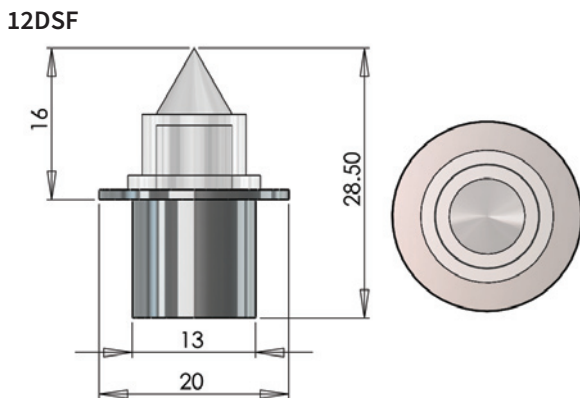
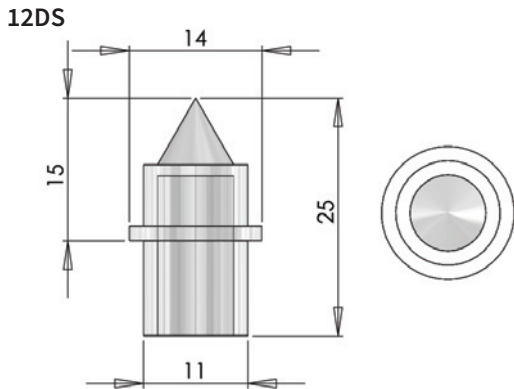


Rev. C1

UFO 12DS / 12DSF Sparkle Fitting



An acrylic sparkle point for an 8mm smooth ferrule. Manufactured from clear acrylic, the UFO 12DS is supplied as a sparkle bullet only. The 12DSF is identical but has an additionally coloured flange.



TECHNICAL INFORMATION		
Description	12DS	12DSF
Material	Acrylic	Acrylic & Polycarbonate
Finish	Clear	Clear body with coloured flange in black or white
Size	14mm	20mm
Weight	1.3g	2.1g
Mounting hole size	11mm	13mm
Ferrule size	8mm smooth	8mm smooth
Min. fibre size	2mm	2mm
Max. fibre size	6mm	8mm

ORDERING CODES (12DS)

MODEL	MATERIAL		FINISH		FERRULE SIZE	
UFO 12DS	Acrylic	AC	Clear	CL	8mm	8mm
UFO 12DS						

ORDERING CODES (12DS/F)

MODEL	MATERIAL		FLANGE FINISH		FERRULE SIZE	
UFO 12DSF	Acrylic/Poly	AC	Black	BL	8mm	8mm
			White	WH		
UFO 12DSF						

