

# PRODUCT SPECIFICATION SHEET



Rev. C1

## UFO Sparkle Flush Lens



### TECHNICAL INFORMATION

Material	Acrylic
Finish	Clear
Size	5.65mm
Weight	0.2g
Mounting hole size	3.2mm
Fibre size	0.75mm, 1mm, 1.5mm polymer

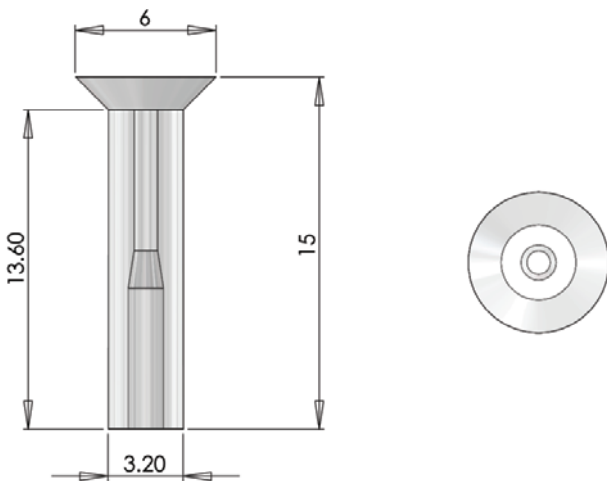
A miniature lens made from acrylic for 0.75mm, 1mm or 1.5mm fibre. Suitable for use in floors and decking, indoors and out. Can also be set into stone or mortar for star paving effects.

Needs only a countersunk hole. For outdoor use we recommend using sheathed 1mm fibre for protection.

Not as suitable for ceilings as the fibre is slightly recessed and will not be as visible from head height unless the ceiling is quite high.

### ORDERING CODES

MODEL	MATERIAL	FIBRE SIZE	FINISH
UFO SFL	Acrylic AC	0.75mm 75 1mm 1 1.5mm 15	Clear CL
UFO SFL			



Universal Fibre Optics Ltd  
Home Place \ Coldstream  
TD12 4DT \ UK  
+44 (0)1890 883416 \ www.ufo.lighting

Universal Fiber Optics USA LLC  
1749 Northgate Blvd  
Sarasota \ FL34234 \ USA  
941-343-8115 \ www.fiberopticlighting.com

UFO Licht GmbH  
Friendsfactory AG \ Gutenbergstraße 1  
85737 Munchen \ Deutschland  
+49 (0)9491 955880 \ www.ufo-licht.de