

# PRODUCT SPECIFICATION SHEET

## UFO P4G Submersion Fitting



Rev. C1



### TECHNICAL INFORMATION

Lens	10mm lens, clear or frosted
Material	Stainless steel
Finishes available	Natural
Weight	12g
Flange size	20mm
Beam angle	20° - 50°
Min. fibre size	1.5mm
Max. fibre size	2mm

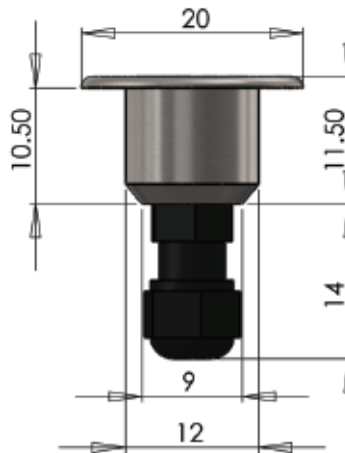
The P4G is a small stainless steel end fitting with clear glass window for sheathed polymer fibre of 1.5mm to 2mm active diameter.

It comes fitted with a nickel-plated brass gland to allow for connection to the fibre and to prevent moisture ingress below the lens. The gland is then tightened onto the fibre using an 8mm and a 10mm open ended spanner.

The P4G is suitable for use in swimming pool floors and other wet areas to give a starfield like effect, either indoors or outdoors. It can also be used in pathways or paved areas to give a similar effect.

### ORDERING CODES

MODEL	MATERIAL	FINISH	LENS
UFO P4G	Stainless Steel	SS	Natural
			N
			Clear
			C
			Frosted
			F
UFO P4G			



Universal Fibre Optics Ltd  
Home Place \ Coldstream  
TD12 4DT \ UK  
+44 (0)1890 883416 \ www.ufo.lighting

Universal Fiber Optic Lighting USA, LLC  
1749 Northgate Blvd  
Sarasota \ FL34234 \ USA  
941-343-8115 \ www.fiberopticlighting.com

UFO Licht GmbH  
Friendsfactory AG \ Gutenbergstraße 1  
85737 Munchen \ Deutschland  
+49 (0)9491 955880 \ www.ufo-licht.de